

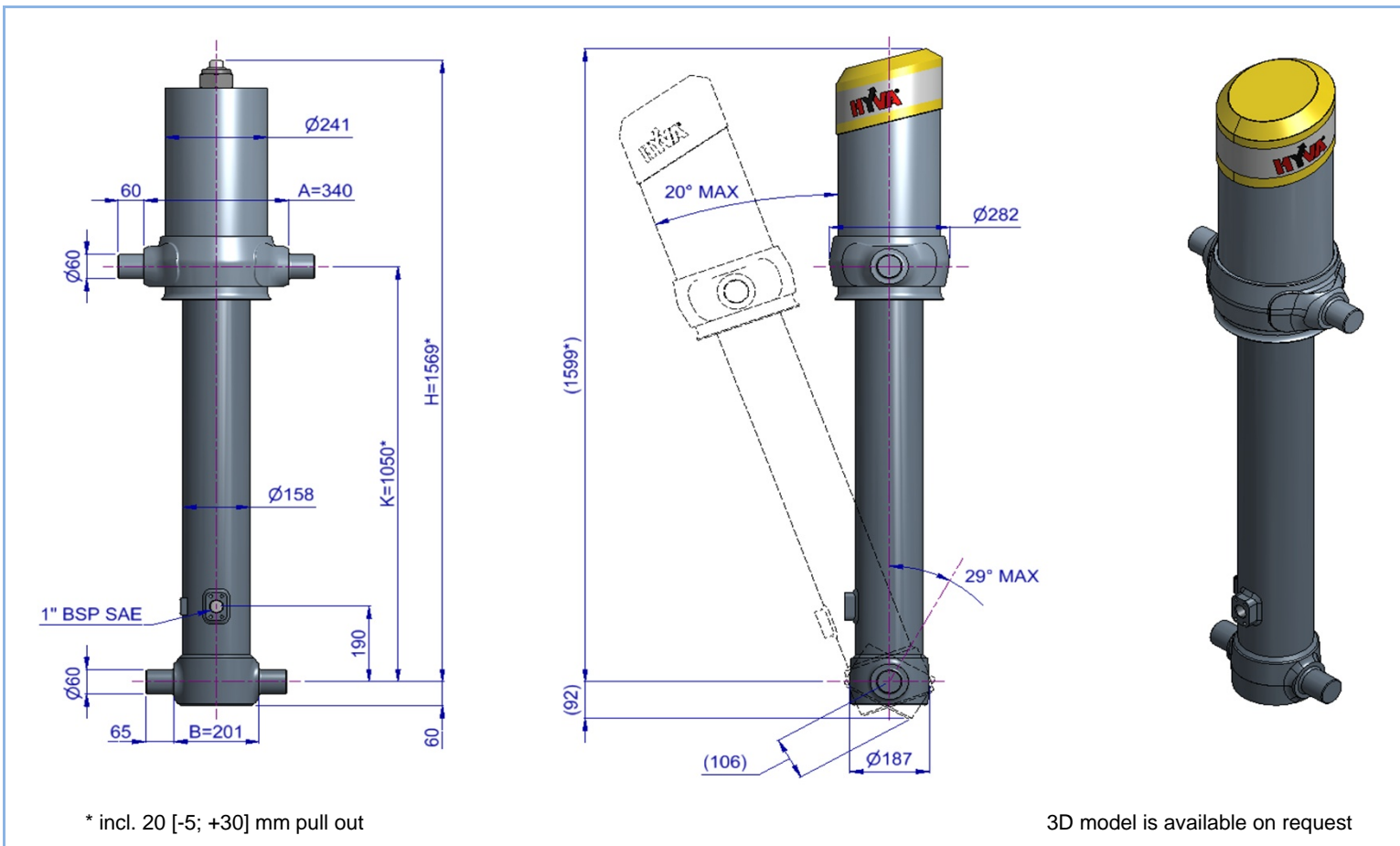
Alpha series - Front end cylinder with outer cover



FC A137-4-04980-004-K1050

Item no.
Tipping weight

70125364
35 - 52 ton



Specifications

Max. working pressure	250 bar	Max. pump flow (with KO)	151 L/min	Resulting tipping time (with KO)	19 sec
Weight	202 kg	Max. pump flow (without KO)	106 L/min	Resulting tipping time (without KO)	27 sec
Working volume	48 L			Allowable lowering time	19 sec
Total volume	52 L				
Max. cyl. load (start tipping)	220 kN				
Max. cyl. load (end of stroke)	189 kN				

KO: Hyva pneumatic knock off

Extension	1	2	3	4	5	6	7	Total
Effective diameter [mm]	137	118	99	80				
Stroke* [mm]	1230	1250	1250	1250				4980

Technical notes

- This cylinder is a lifting device only. It should not be used as a structural member and should not be subjected to side loads.
- When the cylinder is mounted at an angle, the maximum tipping weight could be reduced.
- Maximum backwards angle of rotation during operation is 29 deg.
- Working pressure depends on the application, but must never exceed the maximum working pressure stated.
- Working temperature range is between -40°C and +80°C.
- Maximum duration of extension is 0.5 hours (excluding hard chromed stages).
- Cylinder is painted black (RAL9005) with a thickness conforming to the 480 hours neutral salt spray test as per ISO 9227 (ISO 10289, rating 9).

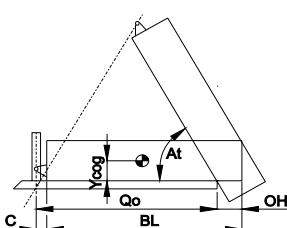
Related documentation

Bracket options: 015BRA10 & 015BRA12

Mounting instructions: CYL-0030

Oil specifications: OIL-0011

Tipping weight



BL	body length
OH	rear overhang
Ycog	vert. pos. centre of gravity
Qo	pivot length
C	bracket length
At	tipping angle
	stroke* x 60 / Qo

	BL	6600			6350			6100		
OH	200	500	800	200	500	800	200	500	800	
At	45	47	50	47	49	52	49	52	55	
Ycog										
600	35	39	43	36	40	45	37	42	48	
900	38	42	49	39	44	52	41	47		
1200	41	47		43	50		45			

Tipping weight at maximum pressure of 250 bar for a vertically mounted cylinder and C is 229 mm

For detailed tipping calculations please refer to: <https://tipper.hyva.com>

Alpha series - Front end cylinder with outer cover

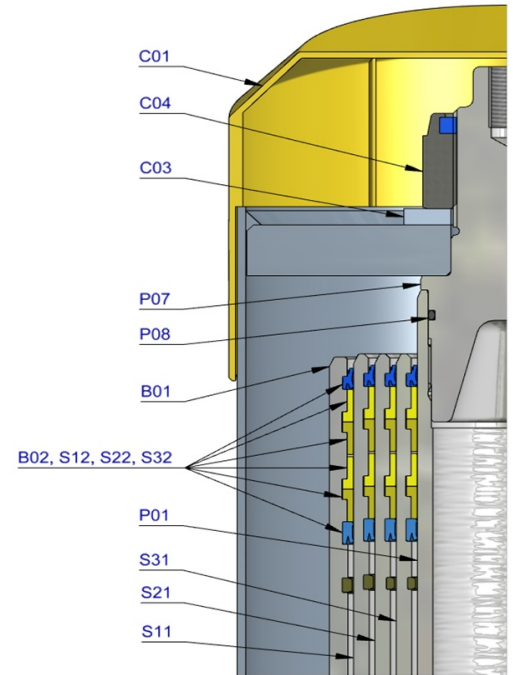


FC A137-4-04980-004-K1050

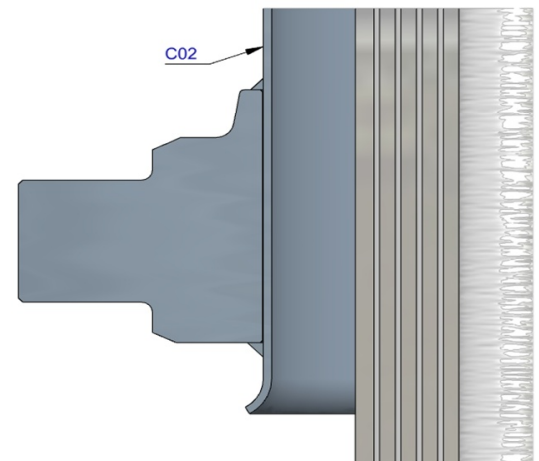
Item no.

70125364

Pos.	Part no.	Description	Qty.
C01	71839030	DUST COVER FC LOW 15-241	1
C02	71709120	COVER 241-0535 PIN60 A340 FIX	1
C03	01702956 K	WASHER M48 DIN 125B ZP	1
C04	01702907 K	TOPNUT NYLOC M48x3 DIN 985 ZP	1
P01	70462441	PISTON MN2 S 080-1445-HC	1
P02	70209300 K	SLIDER MN 080 (2 x 1/2) A22	1
P03	70216080 K	OUTER STOPRING MN 080 A22	1
P04	70224080	BOTTOM PLATE PISTON MN 080	1
P05	01745035 K	CIRCLIP 70 DIN 472 (74.5x2.5)	1
P06	70260210 K	O-RING PISTON BOTTOM 080	1
P07	70232300	PISTON HEAD MN 080 MK2	1
P08	70260110 K	O-RING 63.09 X 3.53 MM	1

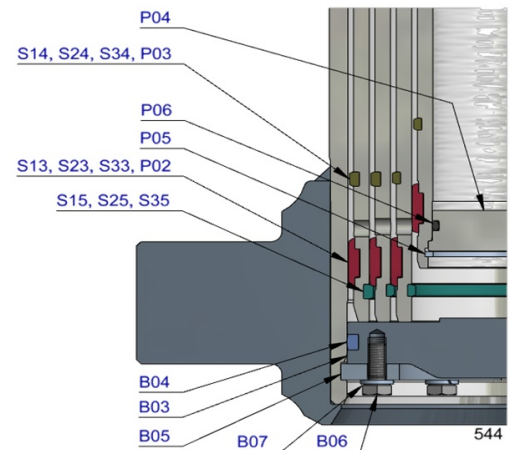


S31	70663440	STAGE MN2 099-1440	1
S32	70203099 K	PACKSET MN 099	1
S33	70209310 K	SLIDER MN 099 (2 x 1/2) A22	1
S34	70216099 K	OUTER STOPRING MN 099 A22	1
S35	70217099 K	LIFTRING MN 099 A22	1



S21	70664440	STAGE MN2 118-1440	1
S22	70203118 K	PACKSET MN 118	1
S23	70209320 K	SLIDER MN 118 (2 x 1/2) A22	1
S24	70216118 K	OUTER STOPRING MN 118 A22	1
S25	70217118 K	LIFTRING MN 118 A22	1

S11	70665440	STAGE MN2 137-1440	1
S12	70203137 K	PACKSET MN 137	1
S13	70207137 K	SLIDER MN 137 A35	1
S14	70216137 K	OUTER STOPRING MN 137 A22	1
S15	70217137 K	LIFTRING MN 137 A22	1



B01	70366440	BASE MN2 157-1479-4/4BSAE-190	1
B02	70203157 K	PACKSET MN 157	1
B03	70225355	BOTTOM PLATE MN2 157	1
B04	70270157 K	SEAL BOTTOM PLATE MN 157	1
B05	70220157	LOCKING PLATE MN 157	3
B06	01732055 K	BOLT HEX M8X20X1.25 SET 6PCS	1
B07	01732559 K	WASHER SPRING M8 SET 6PCS	1

Seal kit complete

	71907540 K	Consists of all packsets with packset grease and O-rings	
--	------------	--	--

Notes

The inner, outer stoprings and liftrings are pre-mounted in the grooves on spare stages and pistons. Therefore, when ordering new tubes, it is not required to order stoprings separately.

For repair instructions see: CYL-0040. Serial no. is located on type plate and below type plate support.