

3D model is available on request

Specifications

Part numbers Steel MP2**	14017252	14017256	14017260	14017264	14017268		
Part numbers Aluminium MP2**	14018252	14018256	14018260	14018264	14018268		
Support configuration	Single / Double	Double	Double	Double	Double		
Width	W	365	419	480	538	627	mm
Mounting Width	WM-Min	-	195	200	220	250	mm
	Wm-Max	-	225	275	330	415	mm
Gross Volume		141	166	192	216	245	Liters
Working volume 1		110	130	150	170	200	Liters
Weight tank (Steel)		38.9	93.4	40.6	41.5	43.9	Kg
Weight tank (Aluminium)		15.9	16.2	17	17.9	18.6	Kg
Suction port		1.5"	1.5"	1.5"	1.5"	1.5"	BSP
Extra Return Port offset	R	-	35	35	10	-	mm
Extra Return Port Size		1.0"	1.0"	1.0"	1.0"	1.0"	BSP

*MP= one mounting plate for valve mounting

**MP2= two mounting plates for valve mounting

Technical notes

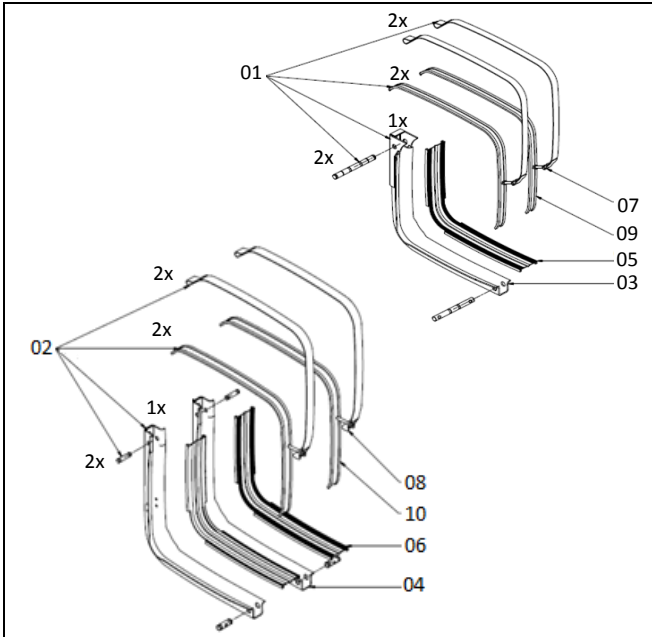
- Mount the tank according the mounting instructions
- Fill the tank with the recommended hydraulic oil to the centre of the level indicator
- Change the oil once a year
- Replace the air breather and return filter element twice a year
- Do not use the tank as a support or to stand on
- Do not weld on the oil tank
- Paint spec: TNO00_00001

Related documentation

Mounting instructions: OIL-0023

Oil specifications: OIL-0011

Support, straps & rubbers



		Part No. Oil Tank		Weight (Kg)
		14017252 14018252	14017256 - 14017268 - 14018256 - 14018268	
01	Full KIT	14021040	•	17.6
02		14021041		14.7
03	Support	14020341	•	11.7
04		14020344		8.7
05	Support rubber	14020435	•	0.4
06		14020338		0.4
07	Strap	14020301	•	1.2
08		14020300		1.4
09	Strap rubber	14020424	•	0.2
10		14020425		0.2

Mountink KIT ***				Weight (Kg)
		14020159	•	
		14020328		1.5

*** Mounting kit contains fastening components like bolts and pins

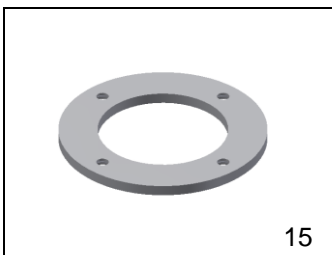
Air breather & return filters



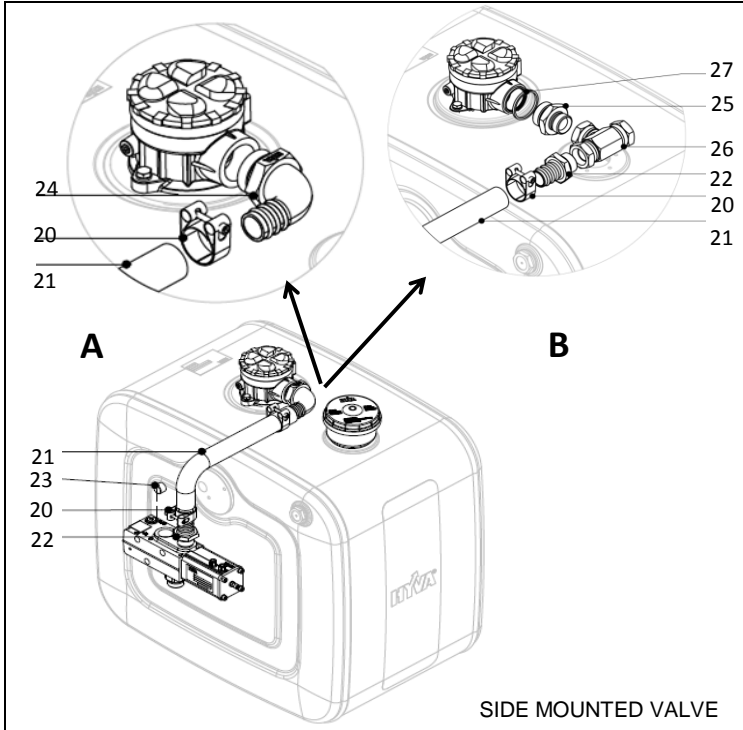
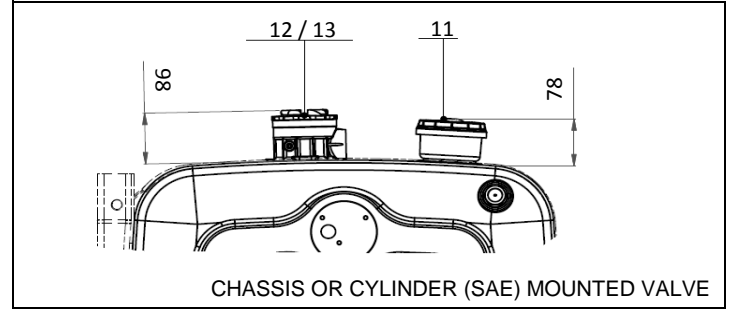
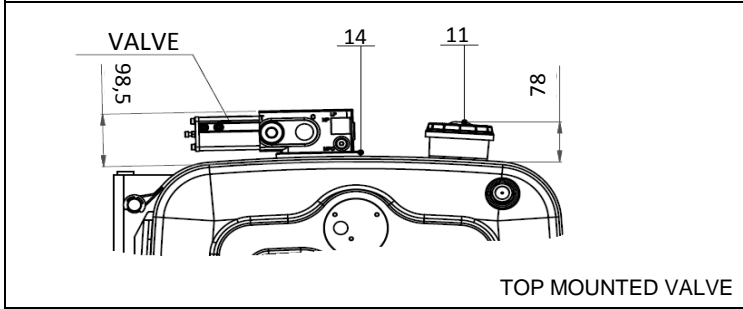
No.	Description	Part no.	Weight
11	Air Breather	08102116	0.4
12	Return filter 150L/m	14780303	1
13	Return filter 250L/m	14780333	1.1
14	Return filter valve mounting plate 150 L/m	14895921	1.9

For configuration, See Page-3

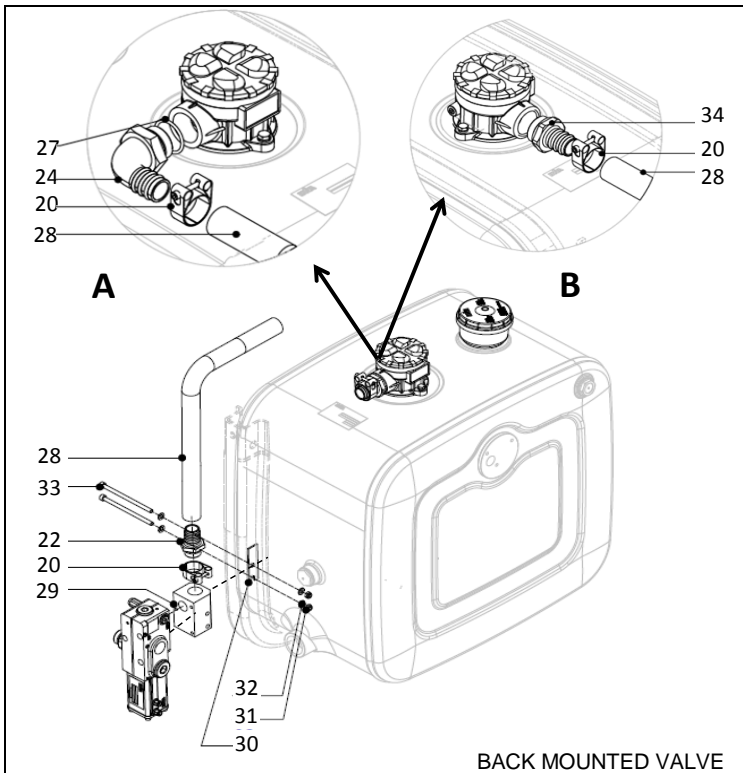
Options



No.	Description	Part no.	Weight
15	Strengthening ring SM tank RF kit	14020509	0.2



No.	Description	Part No.	Qty. per KIT	
			Option A	Option B
	Full kit option A	14021045	•	
	Full kit option B	14021046		•
20	Worm Clamp	01238120	2	2
21	Return Hose	14797010	1	1
22	Hose Pillar	14500587	1	1
23	Blanking Plug	14799175	1	1
24	Hose Pillar 1 1/4	14799322	1	-
25	Adapter	01222107	-	1
26	Adapter HP-T-SW-1"	01318251	-	1
27	Bonded Seal	01206874	-	1
22	Hose Pillar	14500587	-	1



No.	Description	Part No.	Qty. per KIT	
			Option A	Option B
	Full kit option A	14021047	•	
	Full kit option B	14021048		•
28	Hose LP20	14795020	1	1
22	Hose Pillar	14500587	1	1
29	Mounting Block	14020550	1	1
30	Rubber for valve block	14020551	1	1
31	Nut M8x1,25	15026510	2	2
32	Washer M8	15020051	4	4
33	Bolt M8x140x1,25	15013700	2	2
24	Hose Pillar 1 1/4	14799322	1	-
34	Hose Pillar LP20	14500585	-	1