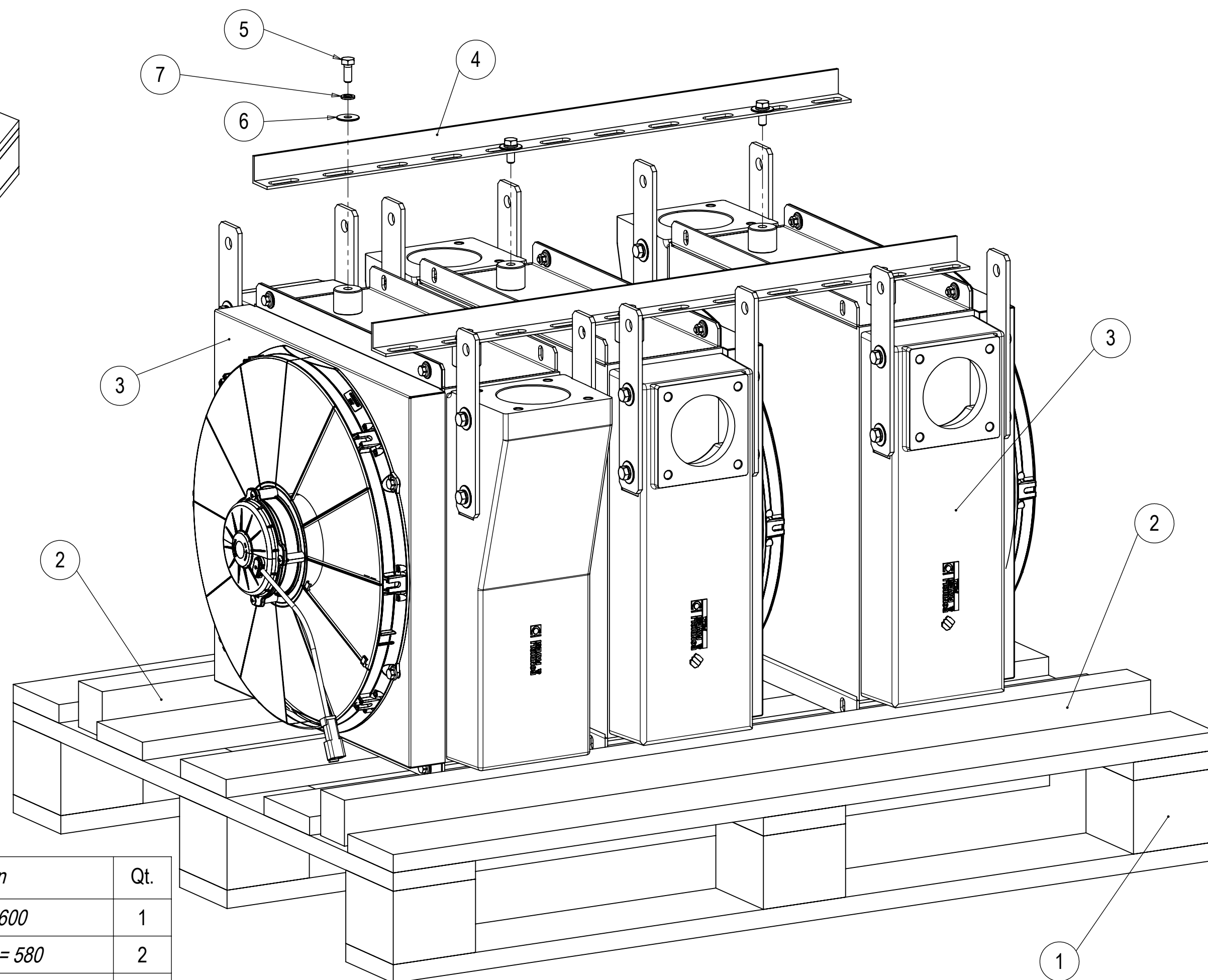
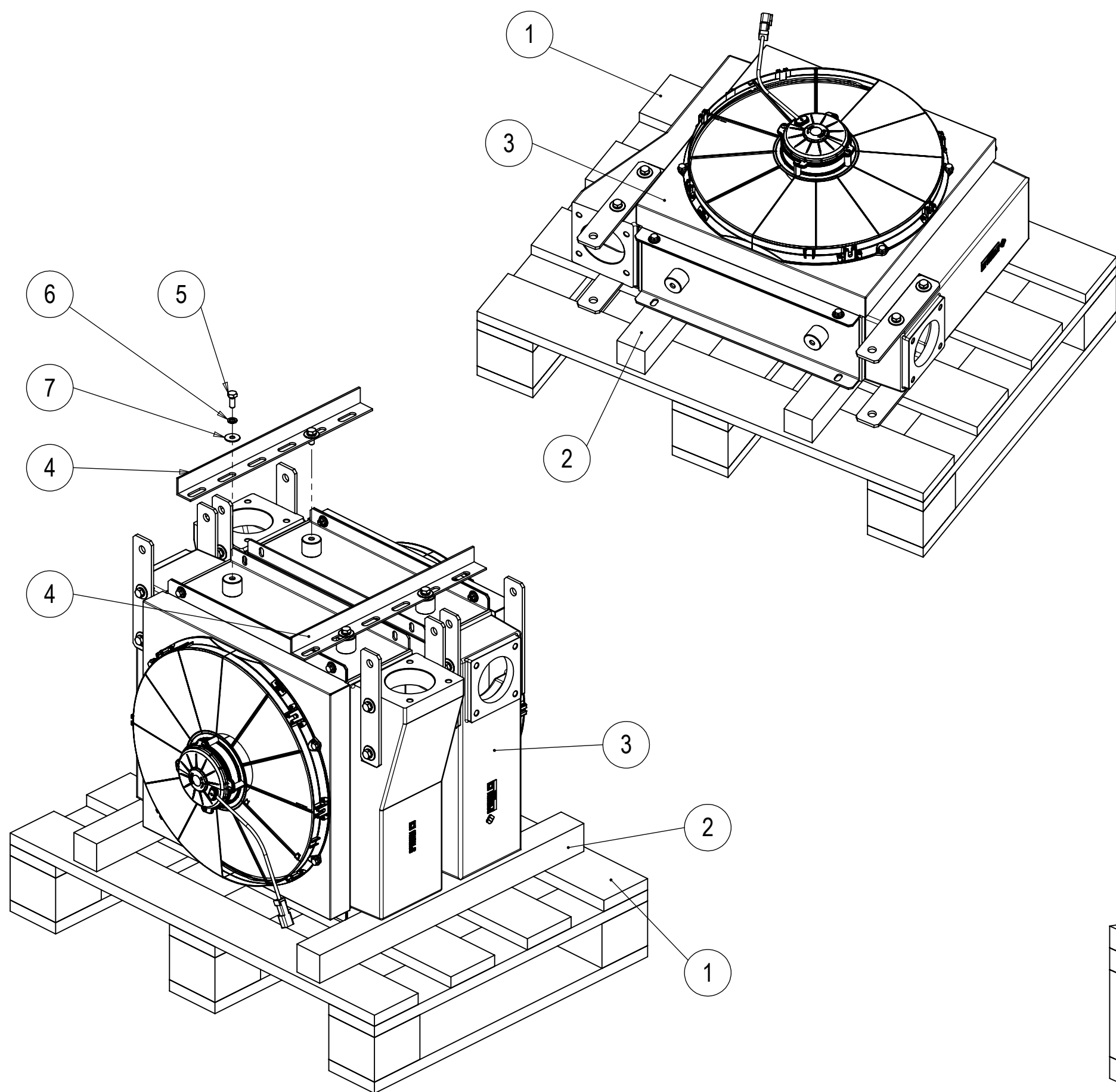


Nr	Codice/Code	Descrizione	Description	Qt.
1	PEDANA-Pallet 800X 600	PEDANA 80X 60X14	<i>Pallet 800X 600</i>	1
2	LEGNO-Wood 50X50 L= 580	LEGNO 50X50 L=580	<i>Wood 50X50 L= 580</i>	2
3	6596230001	SCM INT HYVA 1ES 24 V	<i>Cac core HYVA 1ES 24 V</i>	1

Nr	Codice/Code	Descrizione	Description	Qt.
1	PEDANA-Pallet 1000X 800	PEDANA 100X 80X14	<i>Pallet 1000X 800</i>	1
2	LEGNO-Wood 50X50 L= 980	LEGNO 50X50 L=980	<i>Wood 50X50 L= 980</i>	2
3	6596230001	SCM INT HYVA 1ES 24 V	<i>Cac core HYVA 1ES 24 V</i>	3
4	ANG.FE-Iron angle 30X30X3 L= 710	ANG-FE 30X30X3 L= 710 11 ASOLE	<i>Iron angle 30x30x3 L= 710 11 slots</i>	2
5	369080020	VITE TE M 8X 20 CL8.8 ZN	<i>HH Screw M 8X 20 CL8.8 ZN</i>	6
6	358008024	RONDELLA PIANA 8X24 UNI 6593	<i>Plane washer 8X24 UNI 6593</i>	6
7	357008014	RONDELLA GROWER ZN 8X14 UNI 1751-A	<i>Split washer ZN 8X14 UNI 1751-A</i>	6



Nr	Codice/Code	Descrizione	Description	Qt.
1	PEDANA-Pallet 800X 600	PEDANA 80X 60X14	<i>Pallet 800X 600</i>	1
2	LEGNO-Wood 50X50 L= 580	LEGNO 50X50 L=580	<i>Wood 50X50 L= 580</i>	2
3	6596230001	SCM INT HYVA 1ES 24 V	<i>Cac core HYVA 1ES 24 V</i>	2
4	ANG.FE-Iron angle 30X30X3 L= 400	ANG-FE 30X30X3 L= 400 6 ASOLE	<i>Iron angle 30X30X3 L= 400 6 slots</i>	2
5	369080020	VITE TE M 8X 20 CL8.8 ZN	<i>HH Screw M 8X 20 CL8.8 ZN</i>	4
6	357008014	RONDELLA GROWER ZN 8X14 UNI 1751-A	<i>Split washer ZN 8X14 UNI 1751-A</i>	4
7	358008024	RONDELLA PIANA 8X24 UNI 6593	<i>Plane washer 8X24 UNI 6593</i>	4

RIFERIMENTO STUDIO / DESIGN REFERENCE	CODICE DFMEA / DFMEA CODE	DISEGNATO / DRAWN BY cremonini			
ORIGINE / ORIGIN	MASSA / MASS 50.03 kg	DATA / DATE 02-05-2016			
DESCRIZIONE SCM INT HYVA 1ES 24 V DESCRIPTION <i>Cac core HYVA 1ES 24 V</i>			PAG. 2 / 2	CODICE / PART NUMBER 6596230001	REV. 0