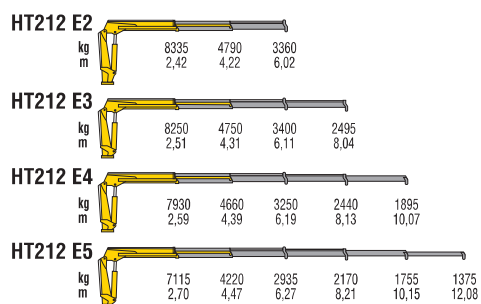


EDGE^{LINE}

HT 212



MODELS	LIFTING MOMENT	MAX VERTICAL REACH (HYDR)	SLEWING ANGLE	SLEWING TIME	MAX WORKING HEEL	WORKING PRESSURE	CRANE WEIGHT WITHOUT STABILIZERS	OIL TANK CAPACITY	OIL FLOW	DIMENSIONS
	tm	m	°	s/180°	°	bar	kg	l	l/min	mm B x h x S
HT212 E2	20,2	9,7	415	20	4	315	1945	130	80	2520x2400x870
HT212 E3	-	11,7	415	20	4	315	2090	130	80	2520x2400x870
HT212 E4	-	13,7	415	20	4	315	2210	130	80	2540x2400x870
HT212 E5	-	15,7	415	20	4	315	2305	130	80	2540x2400x870