

HYVA PTO/PUMP ADAPTORS



Hyva

Page 1 / 6

HUB UNI/DIN - UNI/DIN

code: **021419605**

19x22 Z=13 (DIN 5482) Length = 30mm

6x21x25 (ISO 14)

Theoretical transmitted torque
250 Nm

The allowed torque is referred to the maximum value transmitted under theoretical conditions.

The real torque rating depends on external factors such as:

- shaft alignments;
- peaks;
- vibrations.

We recommend therefore to take into consideration a negative factor while calculating the transmissions based onto real working conditions.

Furthermore, we recommend to grease the splined shafts (couplings and joints) to ensure longer lifetime to the tothing.

HUB UNI - UNI

code: **021410005**

code: **021419601**

Theoretical transmitted torque
400 Nm

6x21x25 (ISO 14) Length = 30mm

ADAPTOR UNI PTO (3 holes) / ISO (4 holes) PUMP

code: **021415006**

Theoretical transmitted torque
400 Nm

80 110 80 106 69 85 80 69

PTO PUMP

8x32x36 (ISO 14)

6x21x25 (ISO 14)

HYVA PTO/PUMP ADAPTORS



Hyva

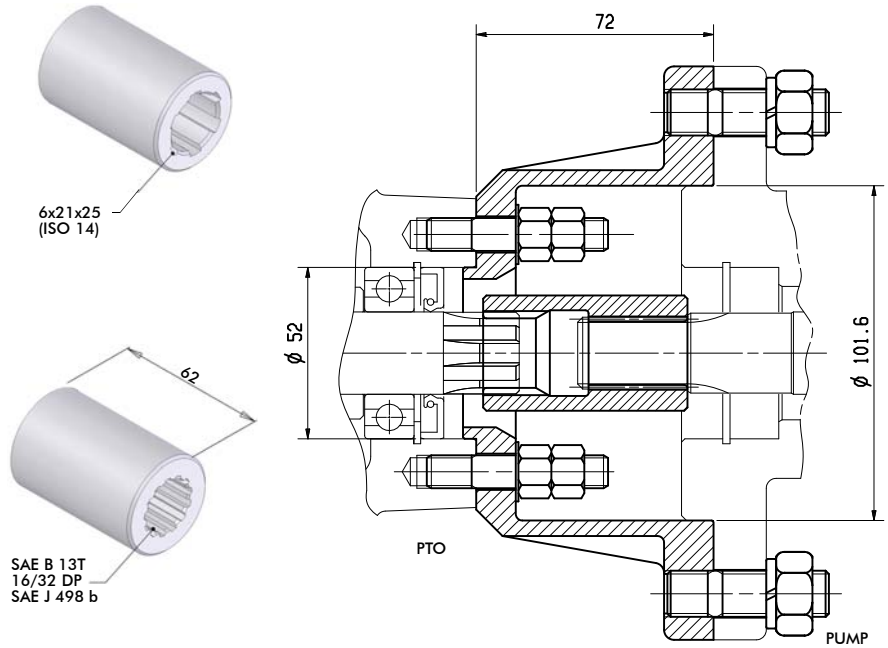
Page 2 / 6

ADAPTOR UNI PTO / SAE B PUMP

code: **021415018**

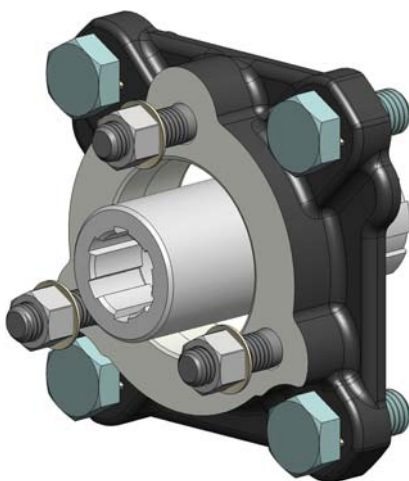


Theoretical transmitted torque
250 Nm

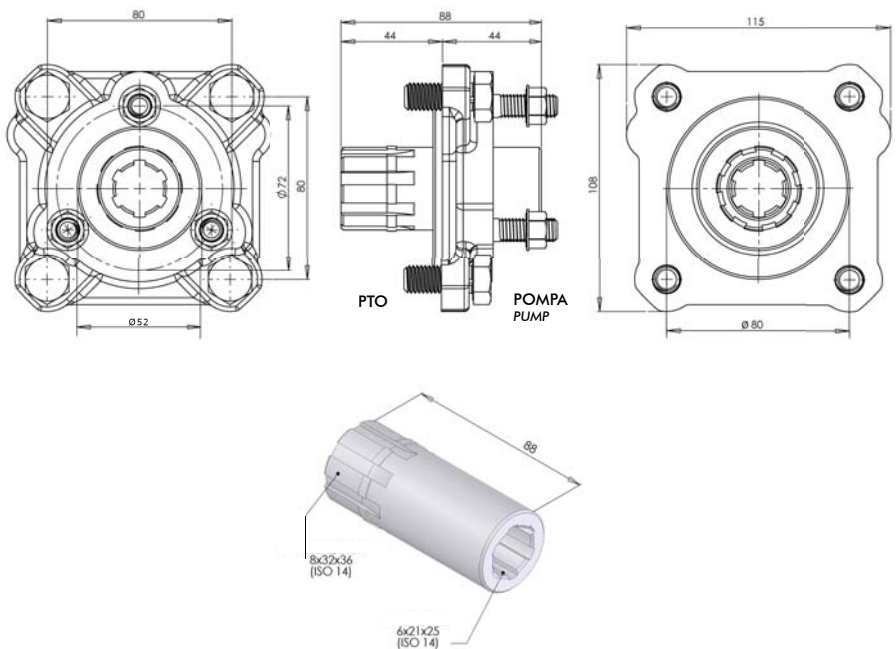


ADAPTOR ISO 4-holes PTO / UNI 3 holes PUMP

code: **021415003**



Theoretical transmitted torque
400 Nm



HYVA PTO/PUMP ADAPTORS

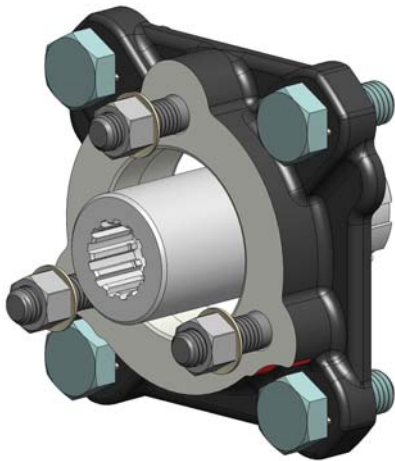


Hyva

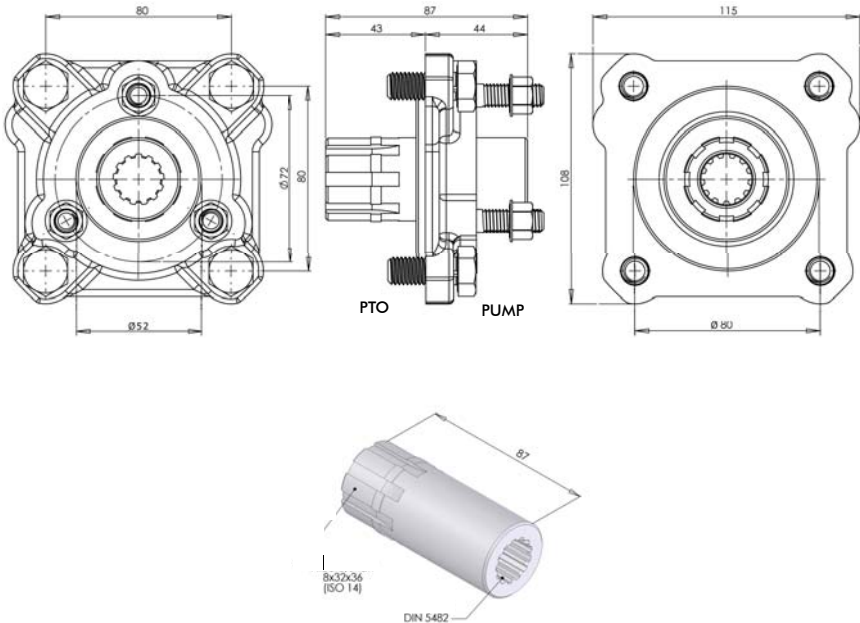
Page 3 / 6

ADAPTOR ISO 4-holes PTO / DIN 13 3-holes PUMP

code: **021415015**



Theoretical transmitted torque
250 Nm

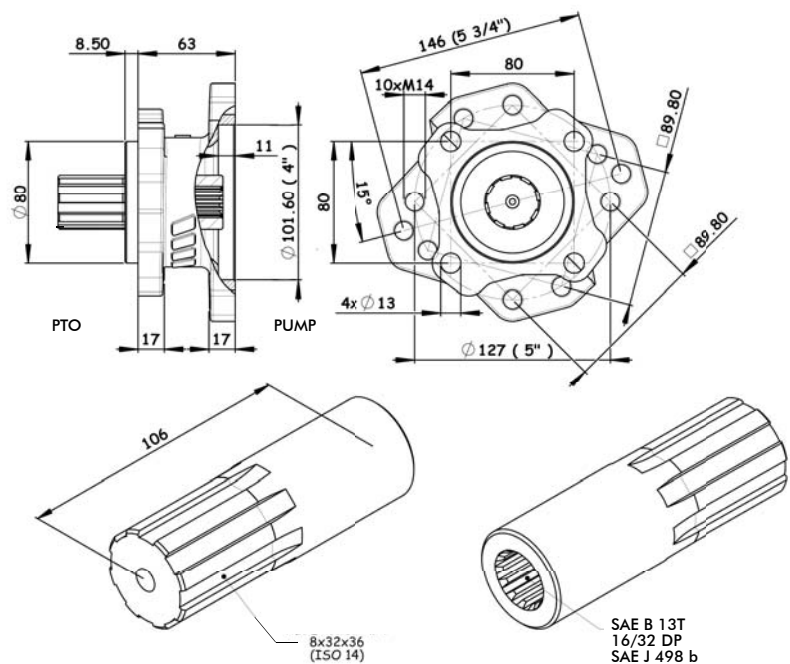


ADAPTOR ISO 4 BOLT PTO / SAE B PUMP

code: **021415013**



Theoretical transmitted torque
250 Nm



HYVA PTO/PUMP ADAPTORS



Hyva

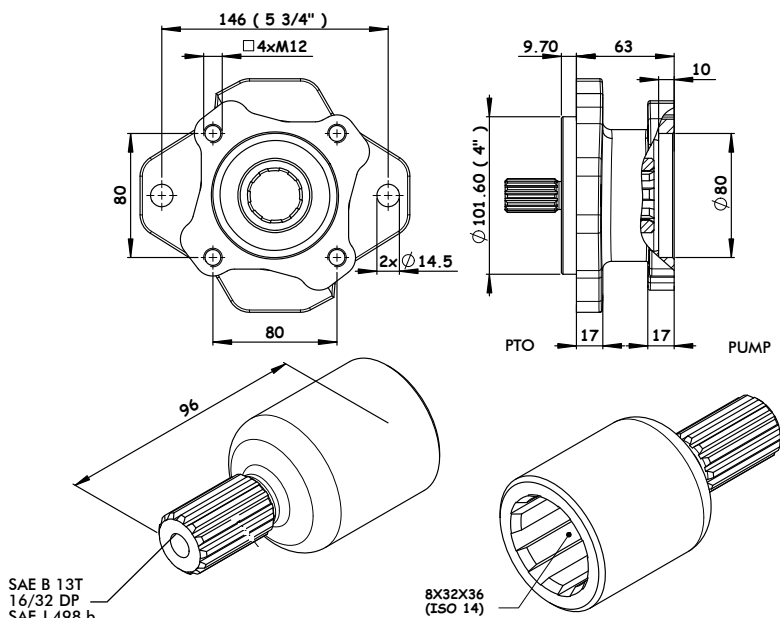
Page 4 / 6

ADAPTOR SAE B PTO / ISO 4 BOLT PUMP

code: **021415001**



Theoretical transmitted torque
250 Nm

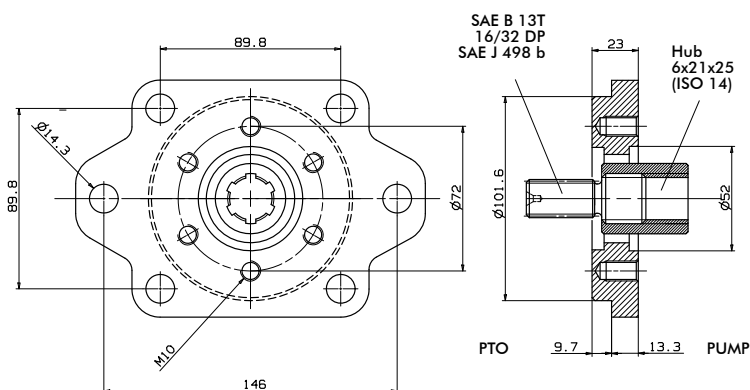


ADAPTOR SAE B PTO / UNI PUMP

code: **021415510**



Theoretical transmitted torque
250 Nm



HYVA PTO/PUMP ADAPTORS



Hyva

Page 5 / 6

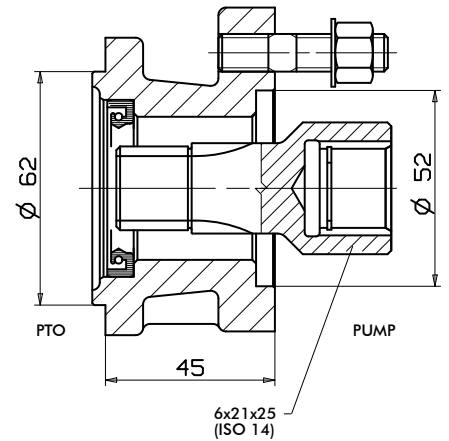
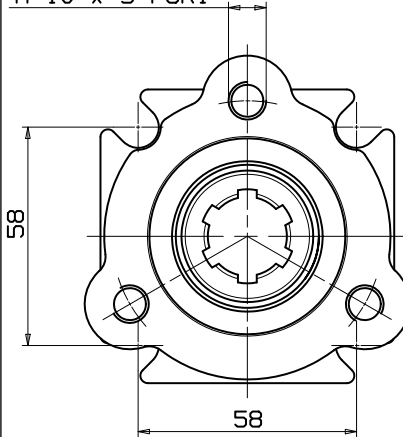
ADAPTOR POWAUTO PTO / UNI PUMP

code: **021415005**



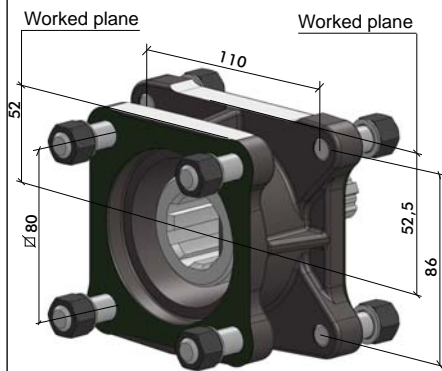
Theoretical transmitted torque
350 Nm

M 10 x 3 FORI

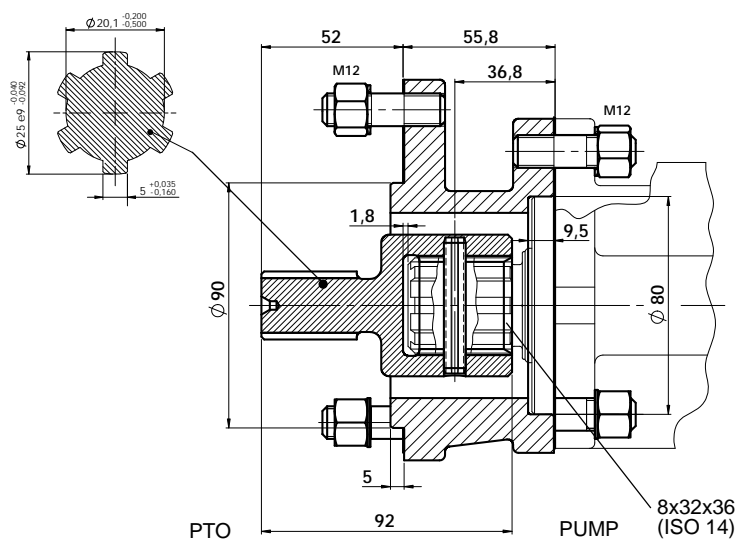


ADAPTOR EST STANDARD PTO/ISO PUMP

code: **021415026**



Theoretical transmitted torque
300 Nm



HYVA PTO/PUMP ADAPTORS



Hyva

Page 6 / 6

ADAPTOR PTO / UNI PUMP

code: **021415019**



Intermittent max. torque
295 Nm

